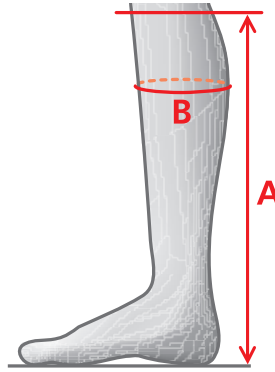


SIZE CHARTS - TALL BOOTS

MEASUREMENTS – SNOWY RIVER

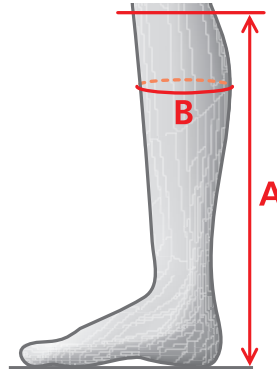
REGULAR - REGULAR			REGULAR - WIDE		
SIZE	A	B	SIZE	A	B
36	42	32-35	37	44	38-41
37	44	34-37	38	45	39-42
38	45	35-38	39	46	40-43
39	46	36-39	40	46	41-44
40	46	37-40	41	46	42-45
41	46	38-41	42	47	43-46
42	47	39-42			
43	47	40-43			



02005 REGULAR/REGULAR 36-43
02006 REGULAR/WIDE 37-42

MEASUREMENTS – VEGANZA

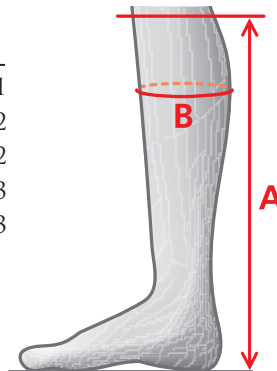
REGULAR - REGULAR			REGULAR - NARROW		SHORT - REGULAR		REGULAR - WIDE	
SIZE	A	B	SIZE	B	SIZE	A	SIZE	B
37	45	34-36	37	46	31-33	37	41	34-36
38	46	35-37	38	46	32-34	38	42	35-37
39	47	36-38	39	47	33-35	39	43	36-38
40	47	37-39	40	48	34-36	40	43	36-38
41	47	38-40	41	49	35-37	41	44	37-39
42	48	39-41				41	47	41-43



02212 REGULAR/REGULAR 37-42
02213 REGULAR/NARROW 37-41
02214 SHORT/REGULAR 37-41
02215 REGULAR/WIDE 37-42

MEASUREMENTS – VEGANZA WINTER LADY TALL

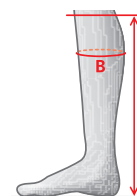
REGULAR - REGULAR			REGULAR - NARROW		SHORT - REGULAR		REGULAR - WIDE	
SIZE	A	B	SIZE	B	SIZE	A	SIZE	B
37	45	35-36	37	46	32-33	37	41	35-36
38	46	36-37	38	46	33-34	38	42	36-37
39	47	37-38	39	47	34-35	39	43	37-38
40	47	38-39	40	48	35-36	40	43	37-38
41	47	39-40	41	49	36-37	41	44	38-39
42	48	40-41				41	47	42-43



02232 REGULAR/REGULAR 37-42
02233 REGULAR/NARROW 37-41
02234 SHORT/REGULAR 37-41
02235 REGULAR/WIDE 37-42

MEASUREMENTS – VENEZIA

REGULAR - REGULAR			REGULAR - NARROW		REGULAR - PLUS		SHORT - REGULAR		TALL - REGULAR		TALL - NARROW		REGULAR - WIDE	
SIZE	A	B	SIZE	B	SIZE	A	SIZE	A	SIZE	B	SIZE	A	SIZE	B
36	44	33-36	36	45	31-34	37	45	36	46	33-36	36	46	37	45
37	45	34-37	37	46	31-34	38	46	37	47	34-37	37	47	38	46
38	46	35-38	38	46	32-35	39	47	38	48	35-38	38	48	39	47
39	47	36-39	39	47	33-36	40	47	39	49	36-39	39	49	40	47
40	47	37-40	40	48	34-37	41	47	40	49	37-40	40	49	41	47
41	47	38-41	41	49	35-38	42	48	41	50	38-41	41	50	41	47
42	48	39-42				41	43	42	50	39-41	41	50	41	47



02035 REGULAR/REGULAR 36-42
02052 REGULAR/NARROW 36-41
02053 SHORT/REGULAR 36-41
02054 REGULAR/PLUS 37-42
02077 TALL/REGULAR 36-42
02078 REGULAR/WIDE 37-41
02079 TALL/NARROW 36-41



MOUNTAIN HORSE®

Mountain Horse® Foot length for footwear size guide

- EU & UK Sizes -

1. Use a piece of paper

Place i.e. a white A4 size sheet on a flat hard surface, such as the floor, with the short side against a straight edge, such as a wall.

2. Place your foot on the paper

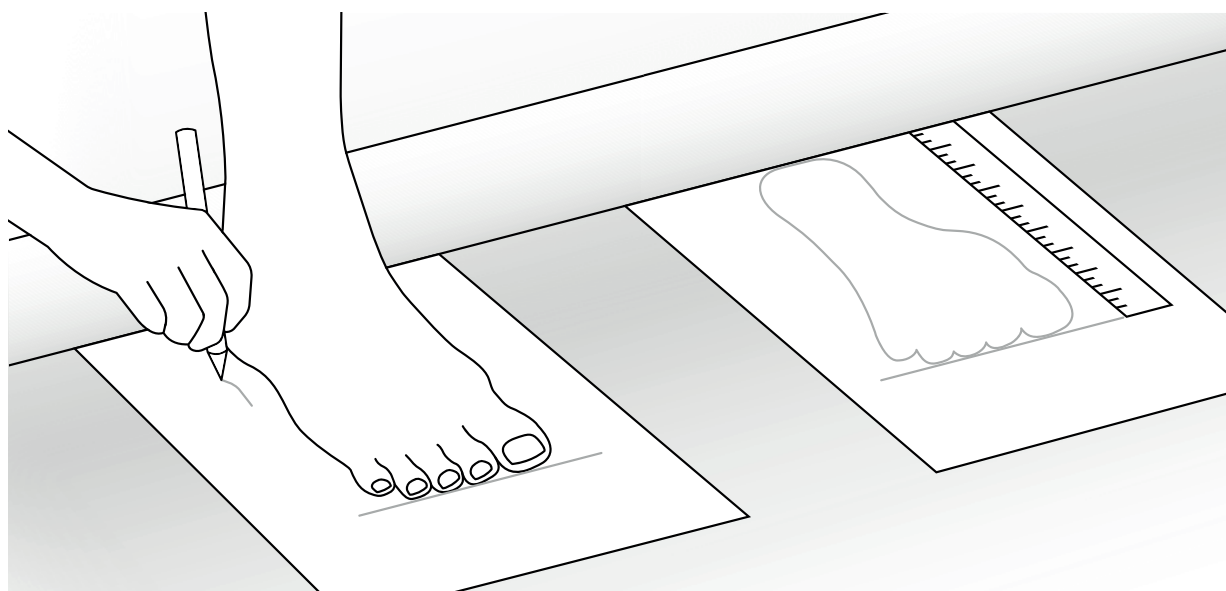
Place your foot on the paper barefoot or with thin socks, with the heel against the wall, putting your weight on the foot you're measuring.

3. Trace around the foot

Hold a pen steadily vertically at a 90-degree angle and trace around the entire foot. It may also help to have someone else trace around your foot. Repeat the same procedure with your other foot.

4. Measure the length of your foot (foot length)

Remove your foot from the paper. Use a ruler and measure at the side from the heel to the tip of your *longest toe on the paper you traced your foot on (*It is not always the big toe that is the longest). Repeat with your other foot. This is your foot length. (We recommend that you do this procedure i.e. two times on separate paper sheets and reference the measurements against each other for a more accurate result).



5. Consult the size guide to find your shoe size.

6. We recommend always measuring both feet as they may be different in length. Use the larger size of the feet when choosing your size.

7. If you find yourself between two sizes we recommend choosing the larger size.

** This size guide is a guide only and is not considered a guarantee that a size would fit depending on the various variables in foot anatomy.

Foot length & foot size

Adult			Junior		
cm	EU	UK	cm	EU	UK
22,7	36	3,5	17,3	28	10
23,4	37	4	17,9	29	11
24,1	38	5	18,5	30	11,5
24,7	39	5,5	19,2	31	12
25,4	40	6,5	19,9	32	13
26,1	41	7,5	20,6	33	1
26,7	42	8	21,3	34	2
27,4	43	9	22	35	2,5
28,1	44	9,5			
28,8	45	10,5			
29,4	46	11,5			



MOUNTAIN
HORSE®

www.mountainhorse.se